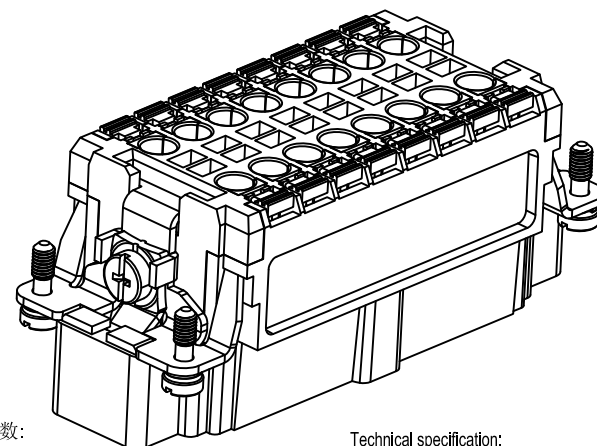
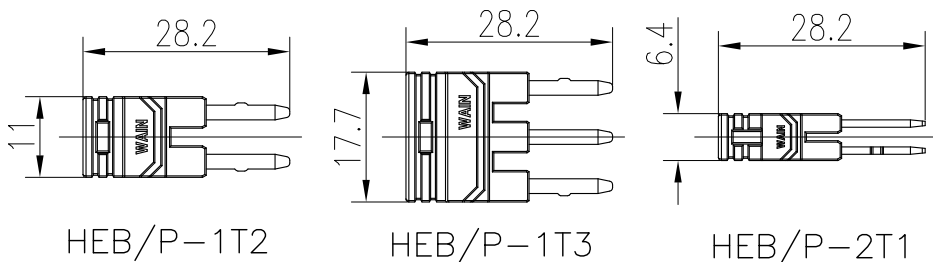


# 选配件/Apolegamy

产品代号/Part Code	产品料号/Part No.	备注/Remark
HEB/P-1T2	1980020070027	横向2Pin短接/Horizontal 2Pin short circuit
HEB/P-1T3	1980020070028	横向3Pin短接/Horizontal 3Pin short circuit
HEB/P-2T1	1980020070029	纵向2Pin短接/Longitudinal 2Pin short circuit

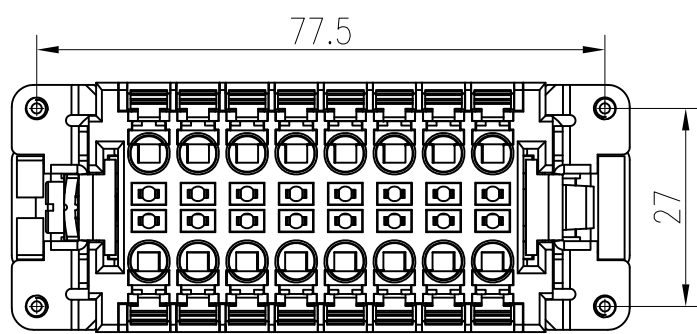
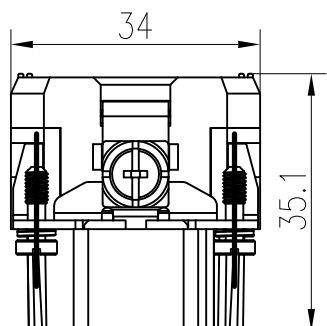
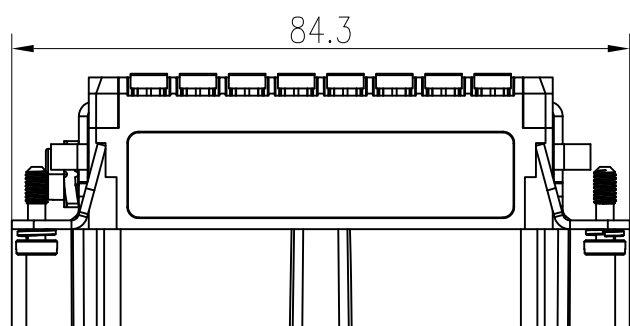


### 技术参数:

- 插芯:**
- 插针数: 16+PE
  - 额定电流: 16A
  - 额定电压: 500V
  - 额定脉冲电压: 6kV
  - 污染等级: 3
  - 依据UL/CSA的额定电压: 600V
  - 绝缘阻抗:  $\geq 10^{10}\Omega$
  - 材料: 聚碳酸酯
  - 颜色: RAL 7032 (浅灰色)
  - 温度范围:  $-40^{\circ}\text{C} - +125^{\circ}\text{C}$
  - 依据UL 94的阻燃等级: V0
  - 可插拔次数:  $\geq 500$
  - 可实现短接功能 (选配)
- 插针:**
- 接线方式: 弹片连接
  - 材料: 铜合金
  - 表面处理: 镀银
  - 接触电阻:  $\leq 3\text{m}\Omega$
  - 线径范围:  $0.5\text{-}4\text{mm}^2$  (20-12 AWG)
  - (带管形接线端子线径范围:  $0.14\text{-}2.5\text{mm}^2$  / 26-14 AWG)
  - 剥线长度:  $9_{0}^{+1}\text{mm}$

### Technical specification:

- Insters:**
- No. of contact: 16+PE
  - Rated current: 16A
  - Rated voltage: 500V
  - Rated impulse voltage: 6kV
  - Pollution degree: 3
  - Rated voltage acc.to UL/CSA: 600V
  - Insulation resistance:  $\geq 10^{10}\Omega$
  - Material: polycarbonate
  - Colour: RAL 7032(light grey)
  - Temperature range:  $-40^{\circ}\text{C} - +125^{\circ}\text{C}$
  - Flammability acc.to UL 94: V0
  - Mating cycles:  $\geq 500$
  - Can realize short circuit function (optional)
- Contacts:**
- Terminal: spring terminal
  - Material: copper alloy
  - Surface: hard-silver plated
  - Contact resistance:  $\leq 3\text{m}\Omega$
  - Wire gauge:  $0.5\text{-}4\text{mm}^2$  (20-12 AWG)
  - (For wires with crimped ferrule, wire gauge:  $0.14\text{-}2.5\text{mm}^2$  / 26-14 AWG)
  - Stripping length:  $9_{0}^{+1}\text{mm}$



						表面处理 Finish	-			图号 Drawing No.	-
						材料 Material	-			产品代号 Part Code	HE-016-MQ P
标记 Mark	处数 Number	变更描述/Description		签名 Signature	日期 Date	比例 Scale	版本 REV.	重量 Weight	数量 Qty.	产品料号 Part No.	1220000990504
绘图 Drawn	ZY YE	03.02.2023	标准化 Stand.	-	-	1:1	V1.0	83.03g	-	产品名称 Part Name	-
审核 Checked	HZ LAN	03.02.2023									
工艺 Process	-	-	批准 Approved	HQ ZHANG	03.02.2023	All Dimensions in mm Original Size DIN A 4		厦门唯恩电气有限公司 XIAMEN WAIN ELECTRICAL CO.LTD			